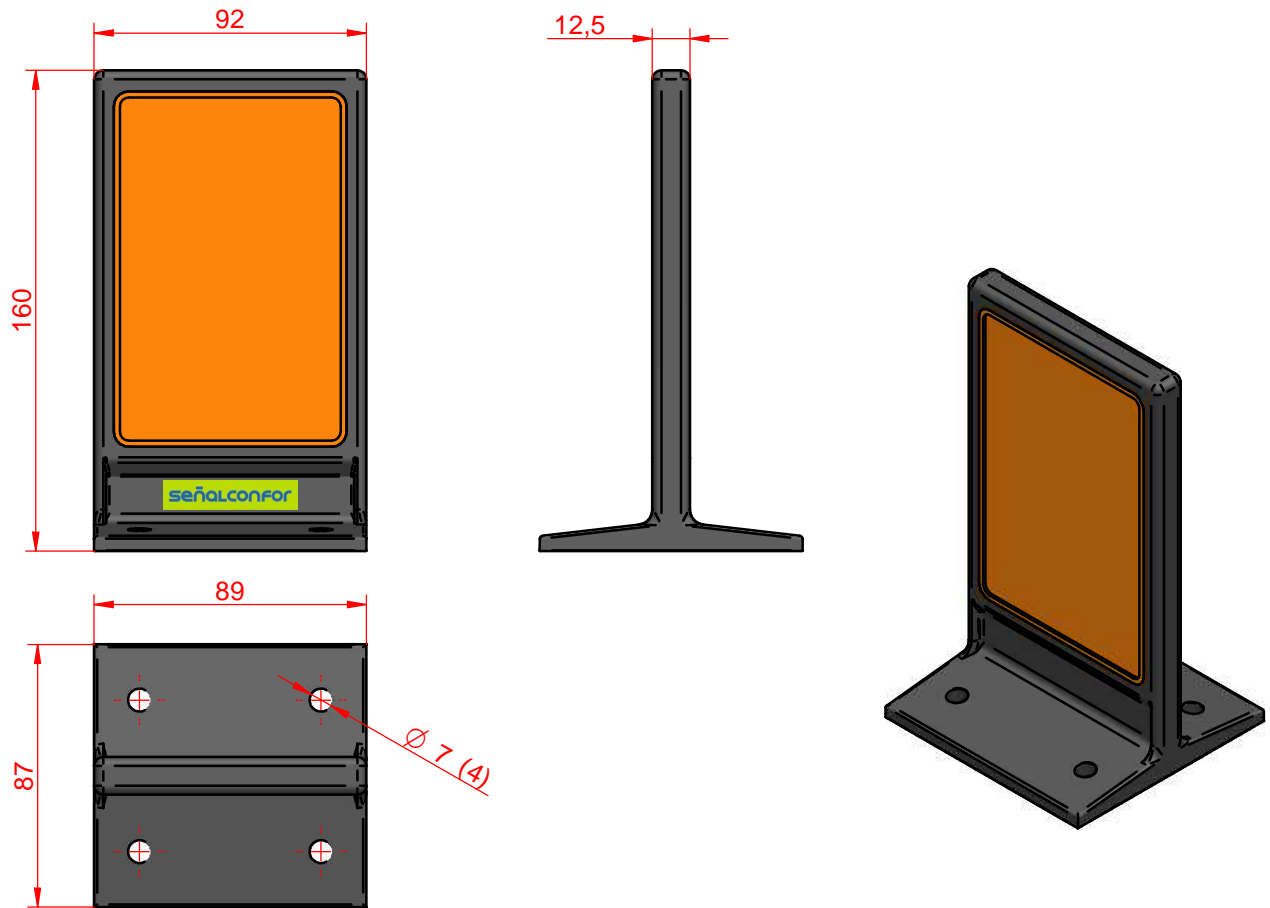

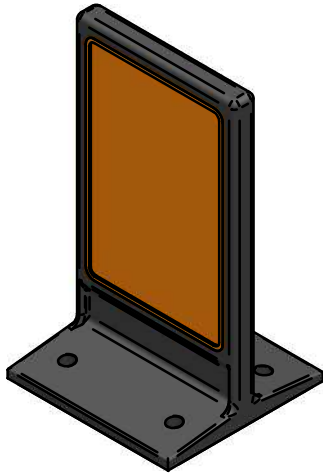


# FT - TECHNICAL SHEET

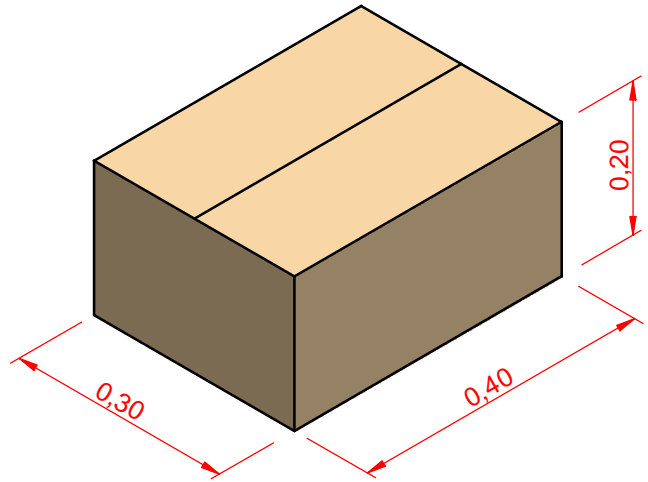


A4	<b>FLEXIBLE AND HERMETIC NEW JERSEY CAT EYE REFLECTORS</b> High pressure injected body in very flexible EVA and injected retro-reflecting plates on a totally sealed to dust and moisture way. Lack of rivets. Protection against degradation by UV radiation. One faced or two faced plates in different colors: crystal, amber, red, green and blue. Retro reflection coefficient: <b><i>Cata crystal 921 cd/lux/m2 for incidence's angle 5° and divergent angle of 20'.</i></b>	CAPTAFL
1:2.5	It is fixed by two, three or four Fischer 8mm plastic dowels type or by monocomponent adhesive. According to the EN12899 norm.	08-09-17
FT91a	<b>FLEXIBLE AND HERMETIC NEW JERSEY CAT EYE REFLECTORS</b>	SC 

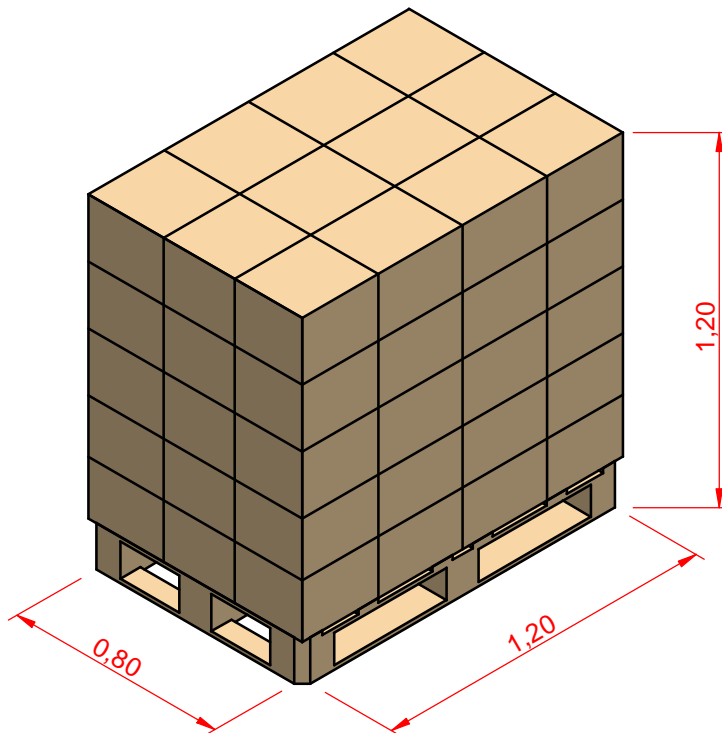
# FT - Logistics data



0,19Kg



40 Unit.  
5,5Kg



1600 Unit.  
290 Kg.

FT91b

Flexible and hermetic new jersey cat eye reflectors

SC

señalconfor