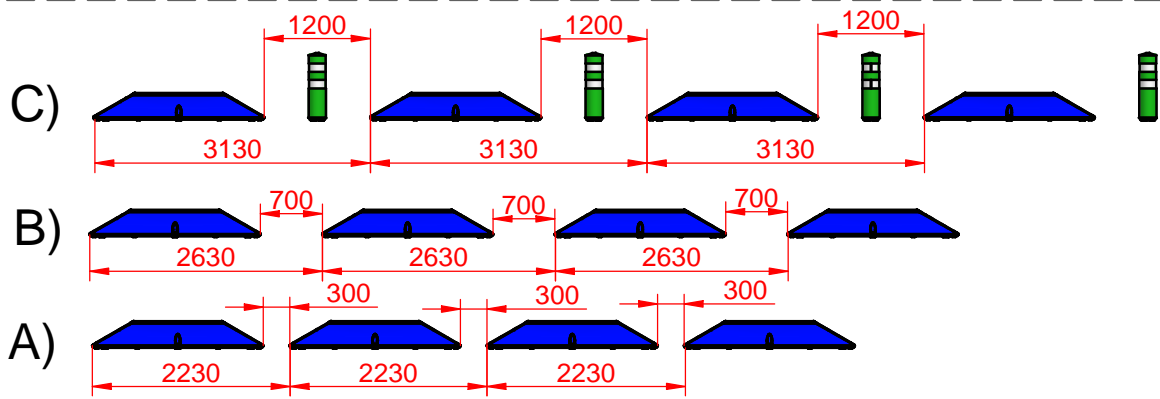
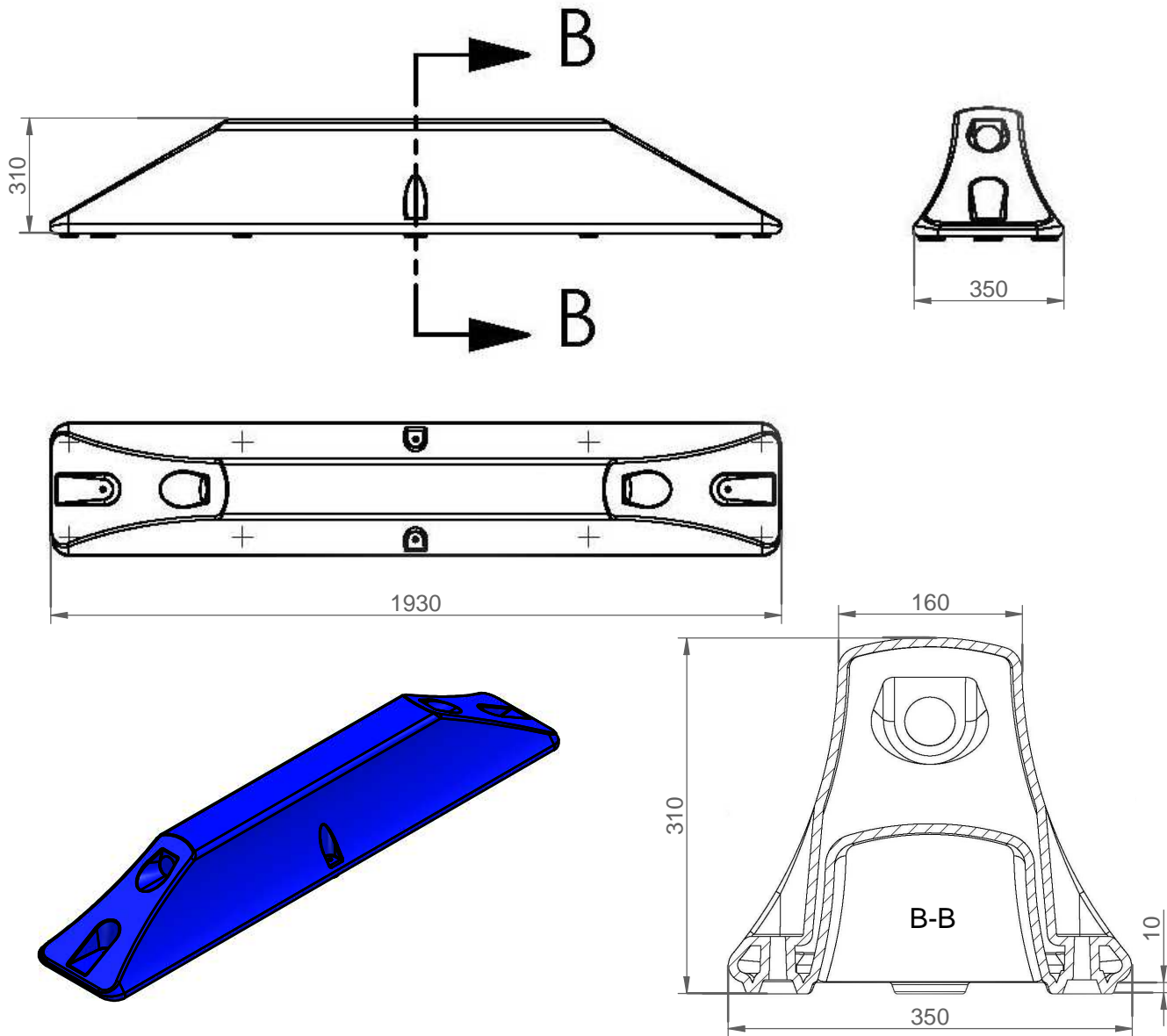


# FT - TECHNICAL SHEET



|      |  |  |
|------|--|--|
| A4   | <b>DELINBUS 4 (LANE SEPARATOR)</b>   | DELI 204   |
|      | Symmetric and impassable Lane Separator.<br>Made by rotational molded one piece hollow body of great thickness in polyethylene.<br>Dyed with lightfast and UV radiation stabilized colors. | 08-09-17   |
| ...  | Provided with reflective areas of Class 3 foil at both ends.<br>It is fixed to the ground by four supplied special anchors.  | SC   |
| FT66 | <b>LANE SEPARATOR</b>  | <div style="background-color: #0056b3; color: white; padding: 5px; text-align: center; font-weight: bold;">SC</div> <div style="background-color: #92d050; color: black; padding: 5px; text-align: center; font-weight: bold;">señalconfor</div> |