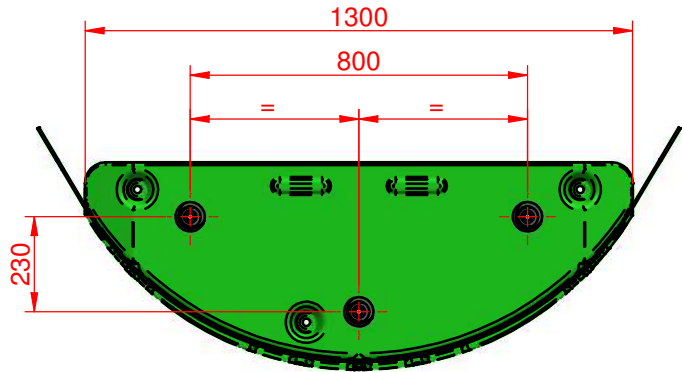
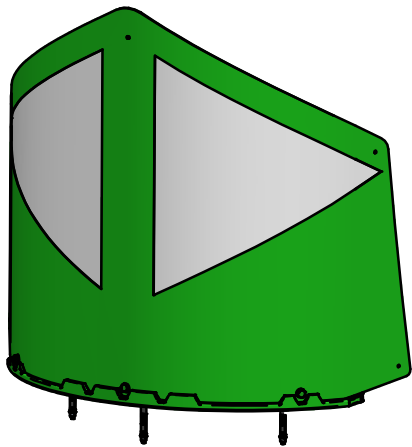
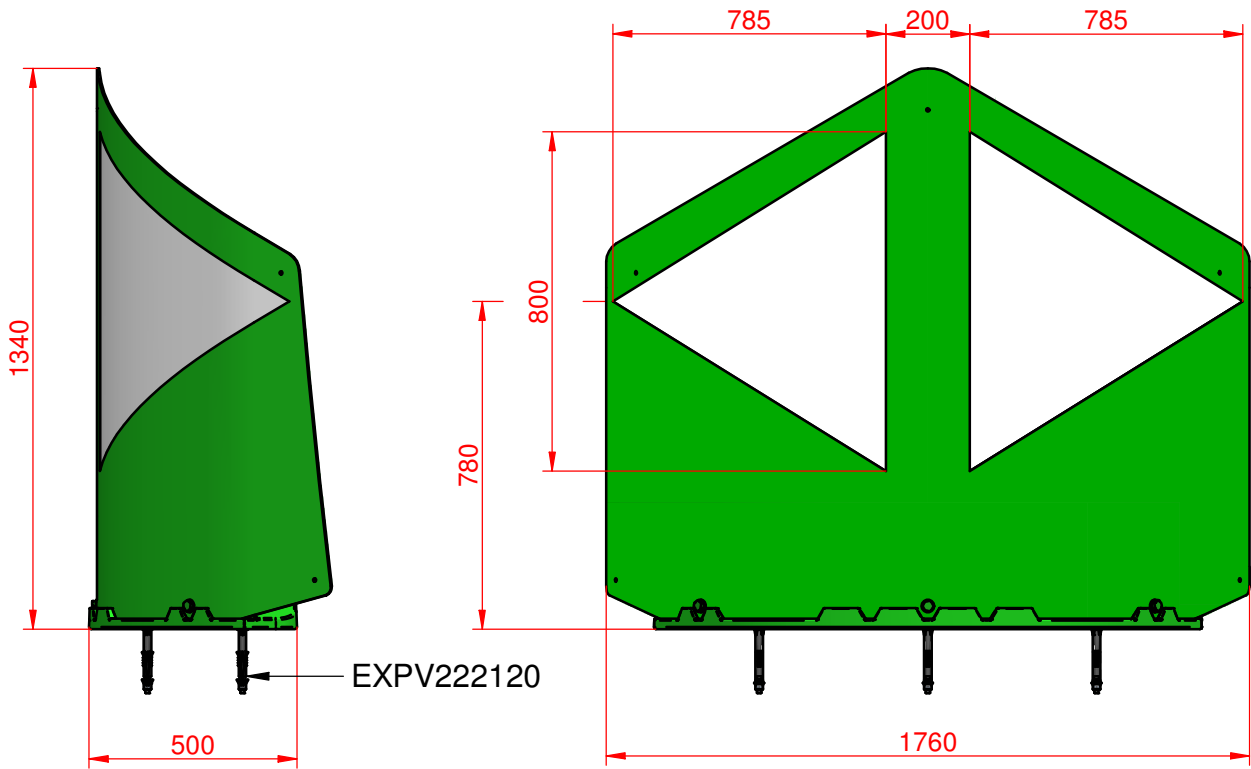


FT - TECHNICAL SHEET



HITO DIVERGENTE <small>Nº CERTIFICADO 0099-CPR-A72-0155/2023</small>
 <small>STA. EULÀLIA DE RONÇANA (Barcelona) SPAIN www.señalconfor.com e-mail: info@señalconfor.com</small>
<small>UNE EN 12899-3 :2007 D1, R1 CL3, DH2</small>

COMPOSED DIVERGENT INDICATOR OF 170CM WIDE		HICO170
A4	Divergent Indicator of 170cm wide composed of leveling base and replaceable screen manufactured in accordance with Standard UNE-135360: 2012. Fixation of the base through 3 powerful expansion anchors D = 22x200mm. If the terrain requires it, the base can be leveled with 3 threaded legs (optional). 5mm thick polymer screen with anti-UV treatment.	06-11-23
1:18	Versions with bare or fully reflectorized screen with Class 1 film (E.G) or Class 2(H.I), and divergent arrows in film Class 2 (H.I) or Class 3 (D.G) according to Standard EN 12899-3. PRODUCT WITH CE CERTIFICATE.	SC
FT6	DIVERGENCE INDICATORS	